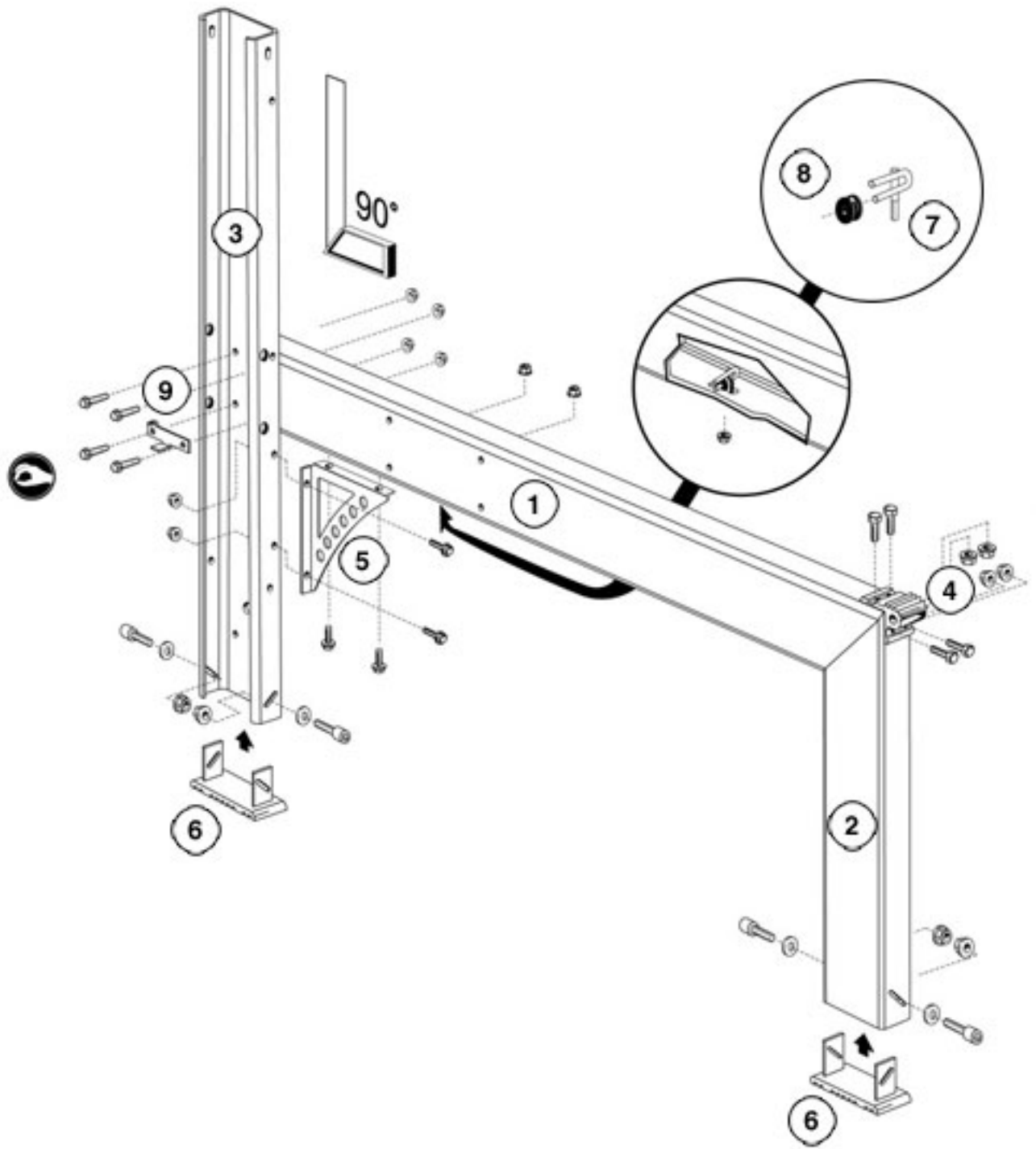
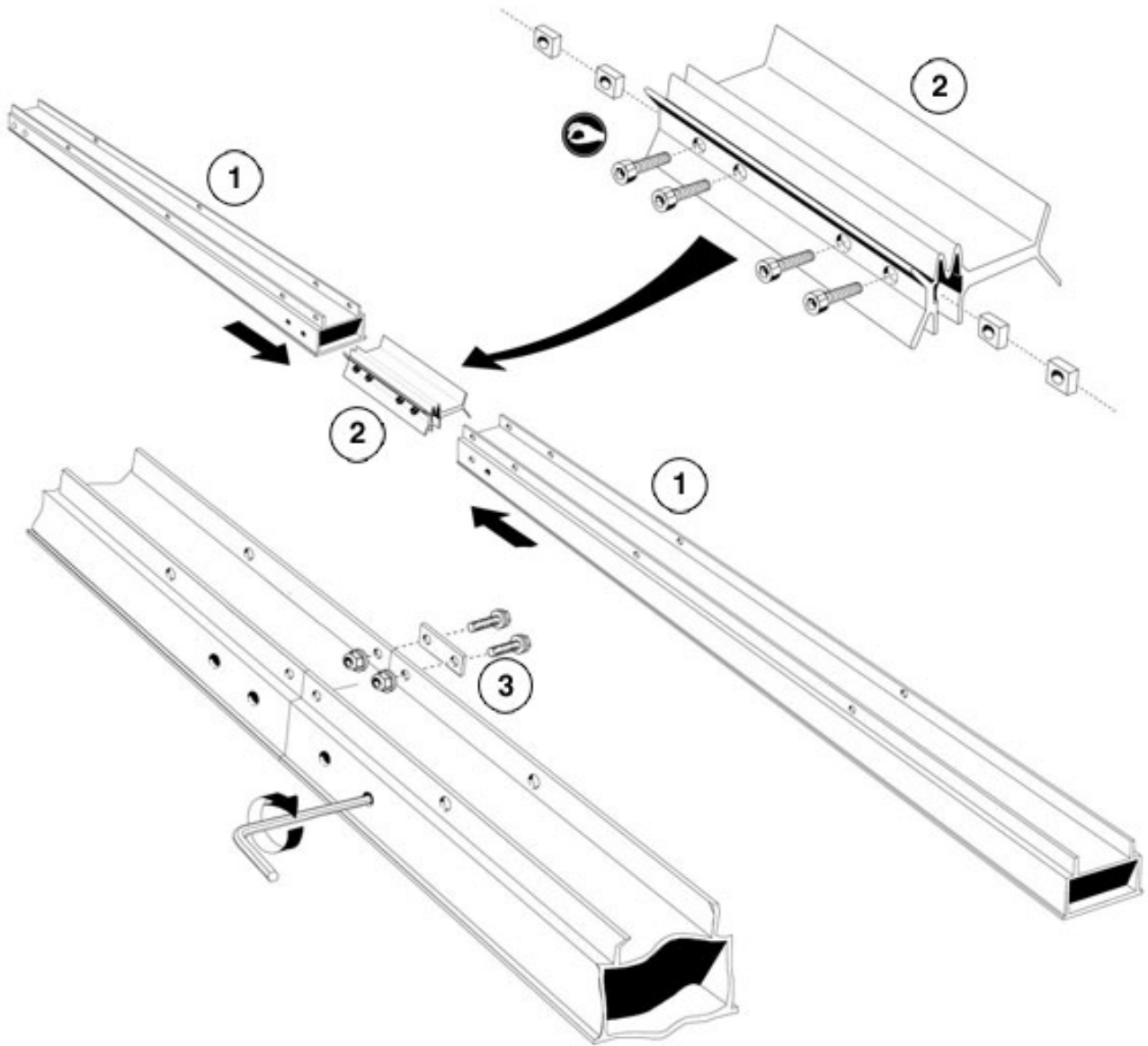


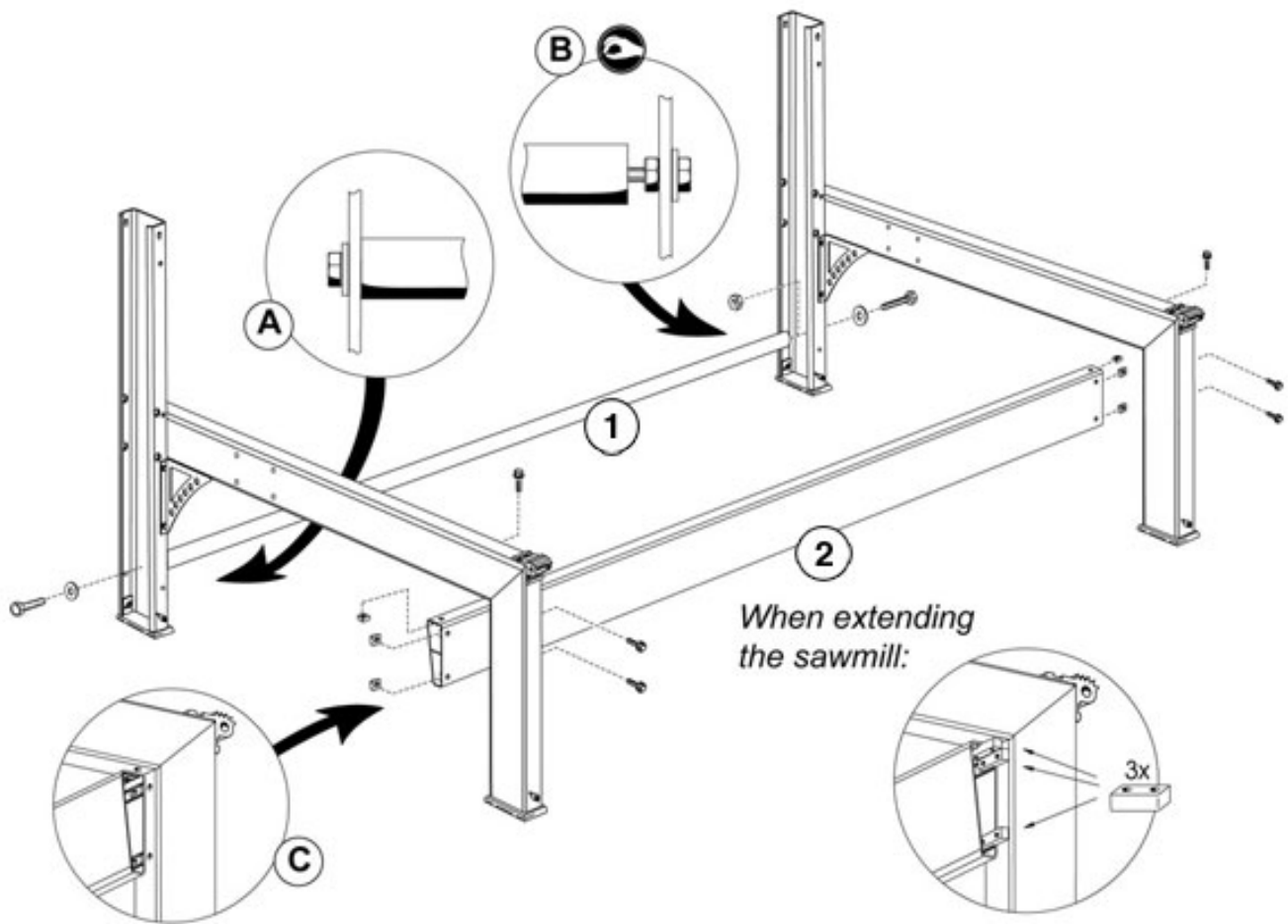
- |    |                        |    |                        |
|----|------------------------|----|------------------------|
| 1  | Part No. 4507-001-1000 | 13 | Part No. 4507-001-7600 |
| 2  | Part No. 4507-001-1030 | 14 | Part No. 4507-001-1065 |
| 3  | Part No. 4507-001-1200 | 15 | Part No. 4507-001-1150 |
| 4  | Part No. 4507-001-1035 | 16 | Part No. 4507-001-1145 |
| 5  | Part No. 4507-001-1009 | 17 | Part No. 4507-001-1085 |
| 6  | Part No. 4507-001-1010 | 18 | Part No. 4507-001-1125 |
| 7  | Part No. 4507-001-1050 | 19 | Part No. 4507-001-1115 |
| 8  | Part No. 4507-001-1015 | 20 | Part No. 4507-001-1100 |
| 9  | Part No. 4507-001-1040 | 21 | Part No. 4507-001-1190 |
| 10 | Part No. 4507-001-1075 | 22 | Part No. 4507-001-1060 |
| 11 | Part No. 4507-001-1045 | 23 | Part No. 4510-723-3900 |
| 12 | Part No. 4510-720-7502 |    |                        |



- 1 Part No. 4507-001-1200
- 2 Part No. 4507-001-1035
- 3 Part No. 4507-001-1030
- 4 Part No. 4507-001-1045
- 5 Part No. 4507-001-1060
- 6 Part No. 4507-001-1040
- 7 Part No. 4507-001-1205
- 8 Part No. 4507-001-0300
- 9 Part No. 4507-001-2071



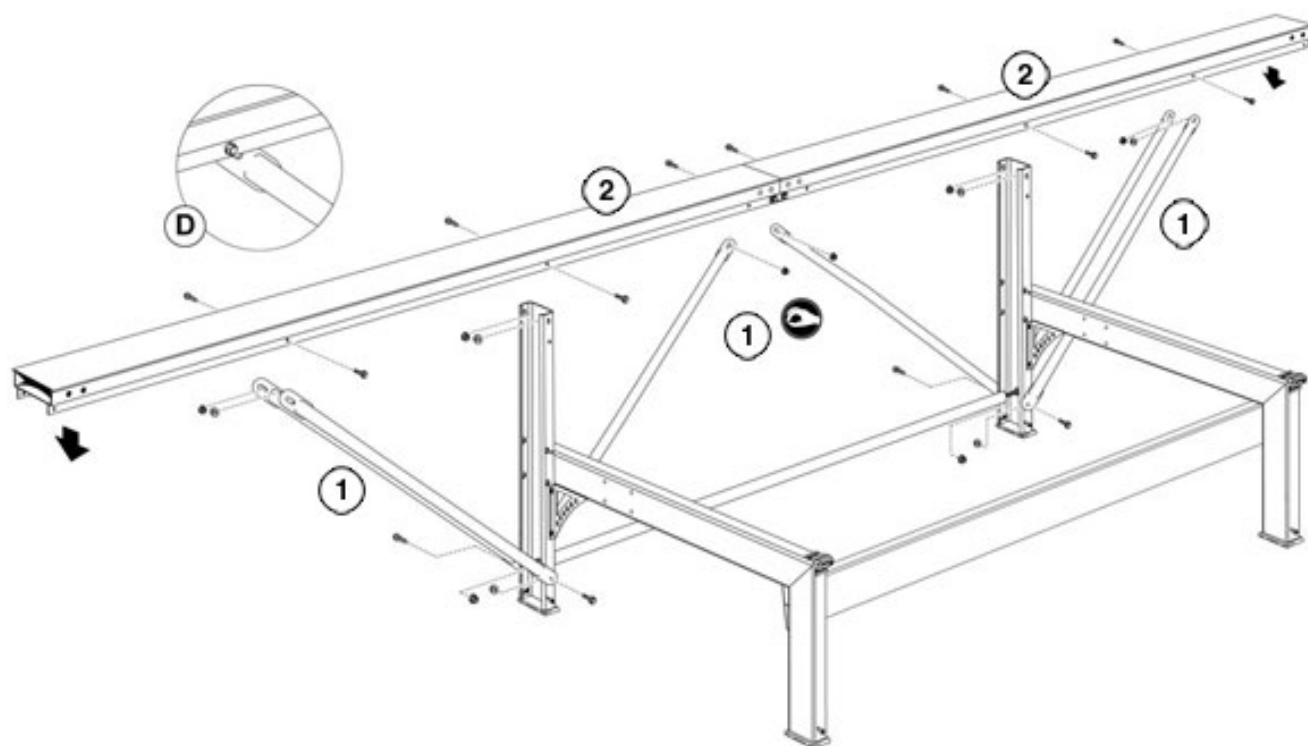
- 1 Part No. 4507-001-1000
- 2 Part No. 4510-720-6700
- 3 Part No. 4510-723-0800
- 4 Part No. 4507-001-2072



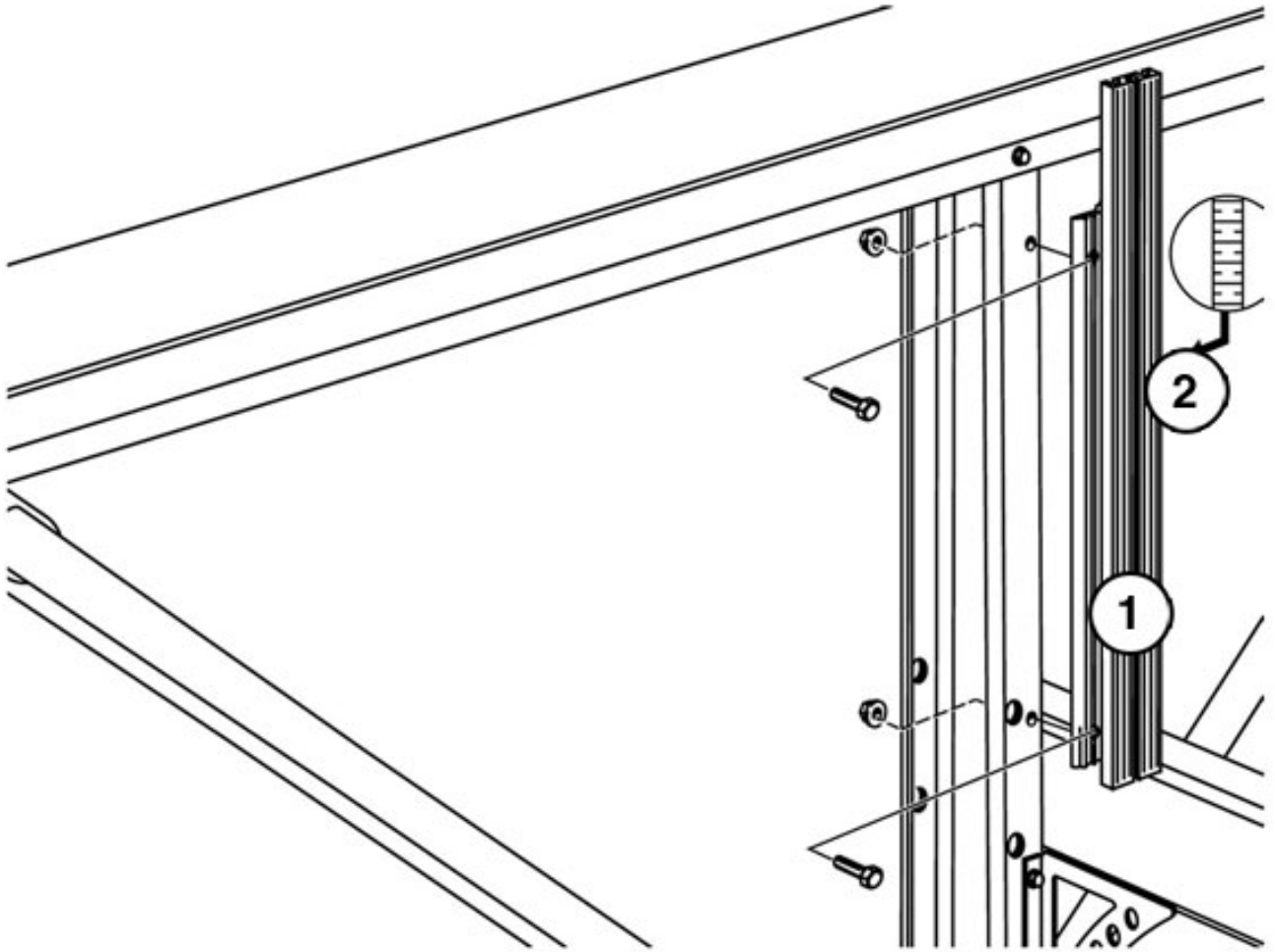
When extending  
the sawmill:

При монтаже удлинения

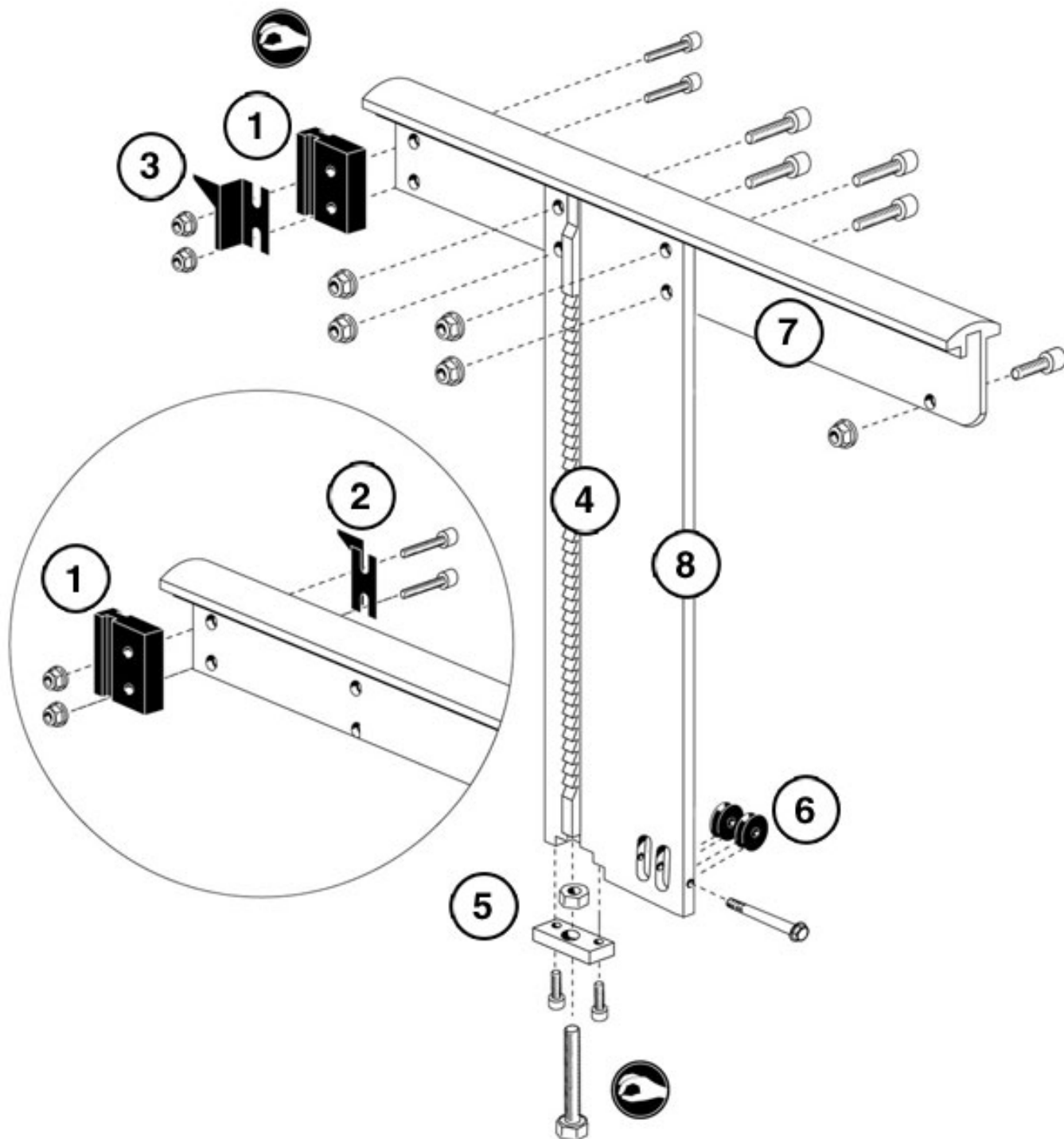
- 1 Part No. 4507-001-1010
- 2 Part No. 4507-001-1009
- 3 Part No. 4507-001-2072



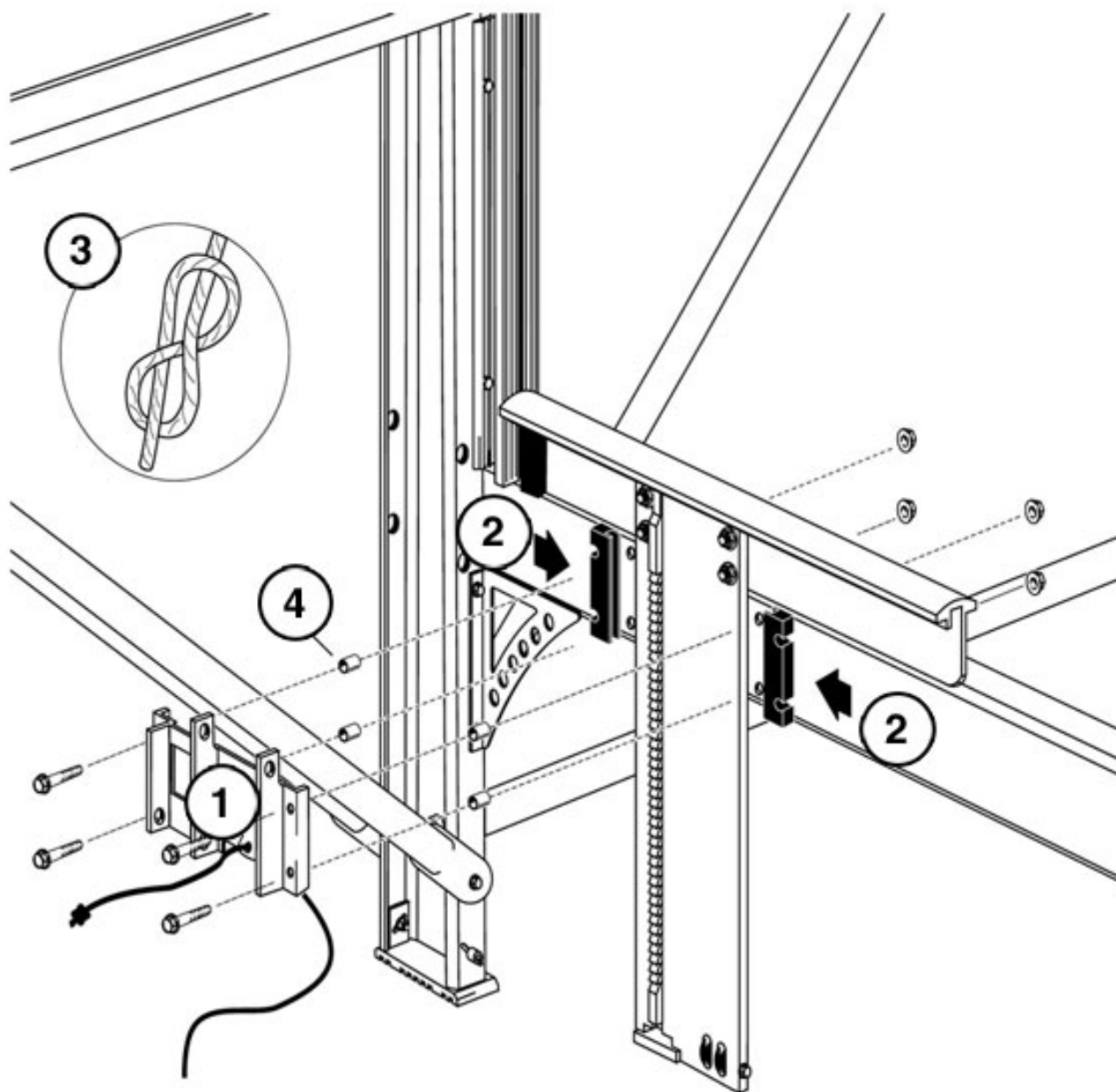
- 1 Part No. 4507-001-1015
- 2 Part No. 4507-001-2073 набор винтов



- 1 Part No. 4507-001-1075
- 2 Part No. 4507-001-2074
- 3 Part No. 4507-001-1070

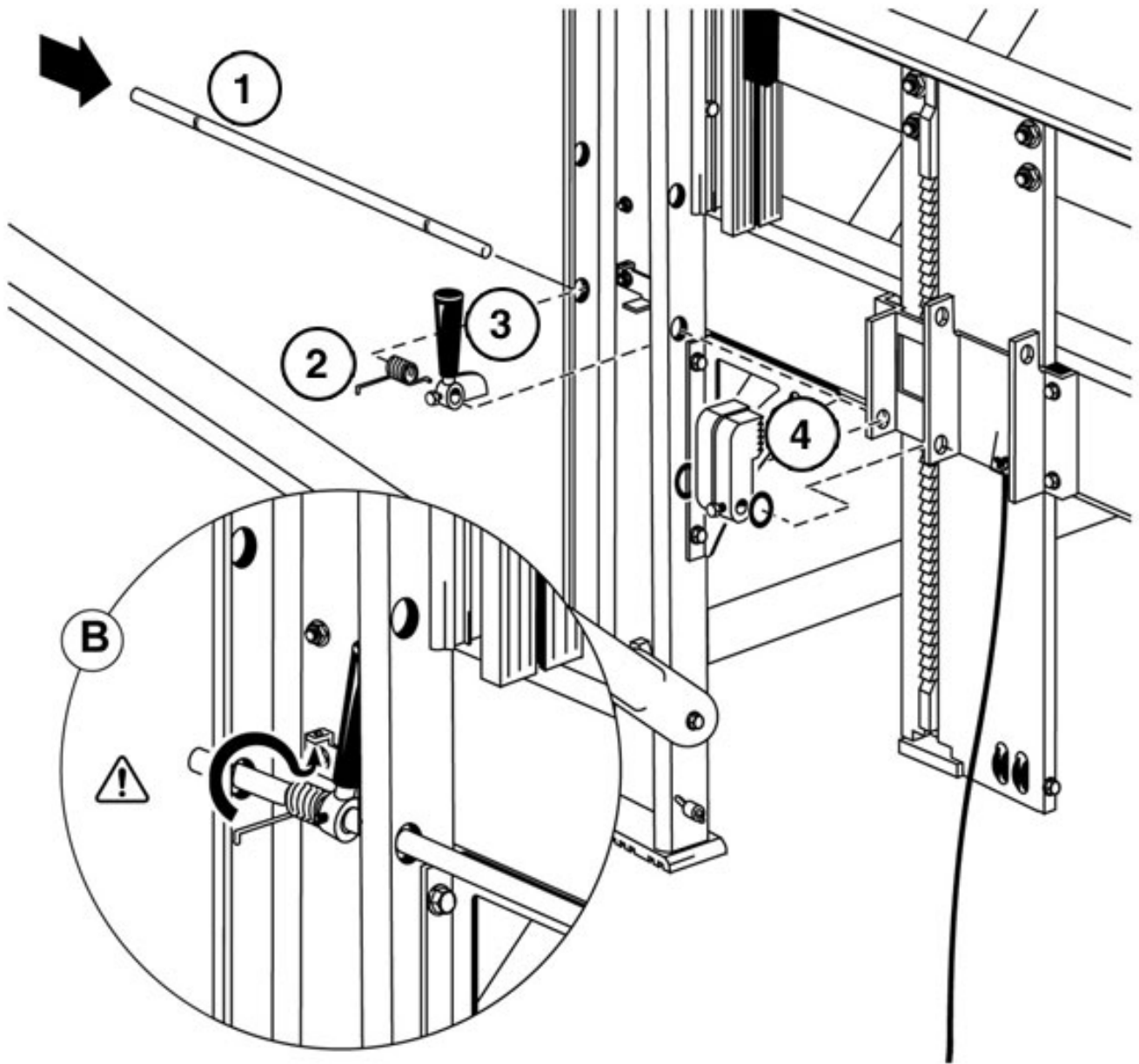


- 1 Part No. 4507-001-1190
- 2 Part No. 4507-001-1165
- 3 Part No. 4507-001-1170
- 4 Part No. 4507-001-1150
- 5 Part No. 4507-001-1145
- 6 Part No. 4507-001-0300
- 7 Part No. 4507-001-1050
- 8 Part No. 4507-001-1065
- 9 Part No. 4507-001-2074 набор винтов

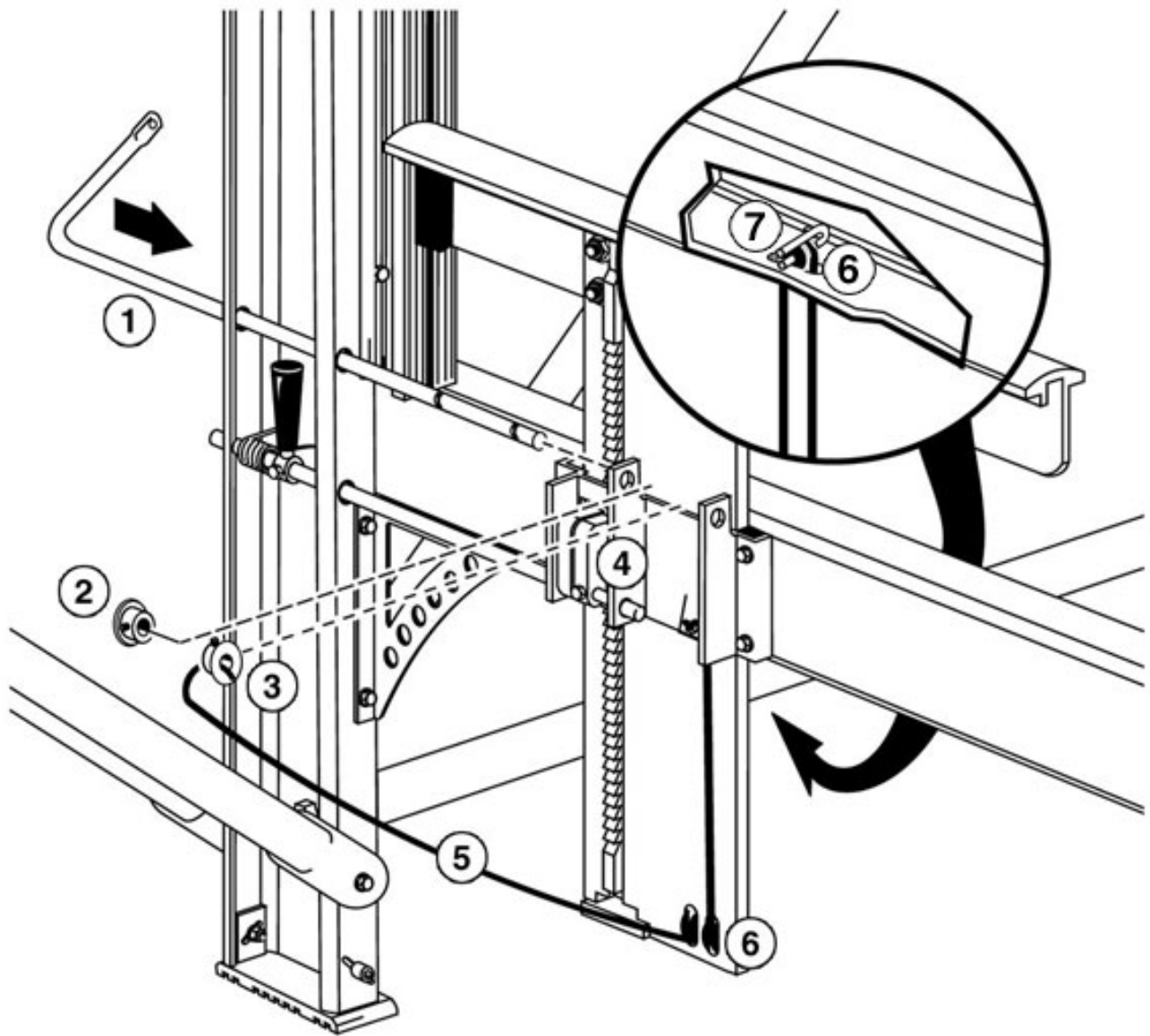


- 1 Part No. 4507-001-1085
- 2 Part No. 4507-001-1090
- 3 Part No. 4507-001-1080
- 4 Part No. 4507-001-2075 набор винтов

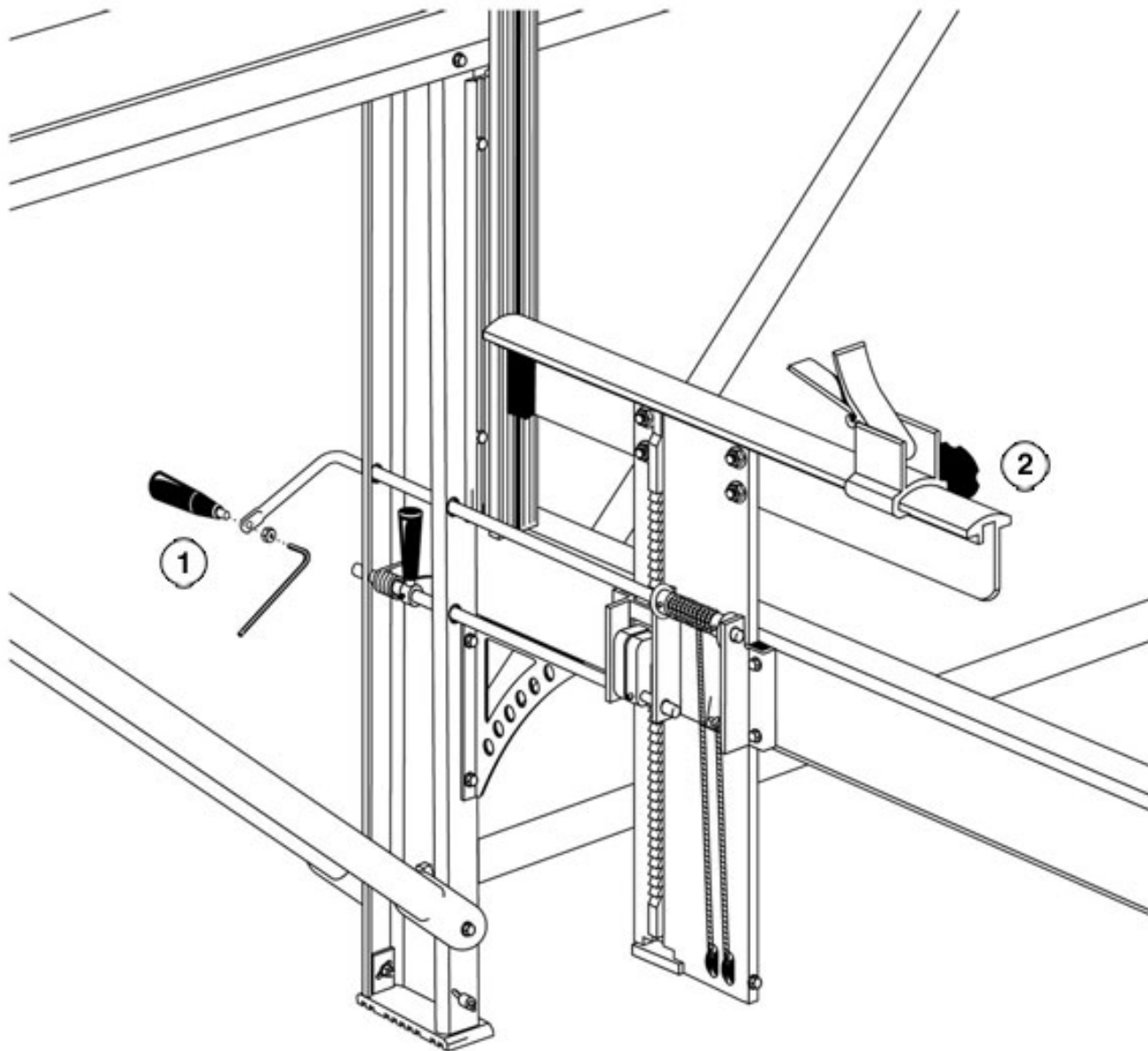




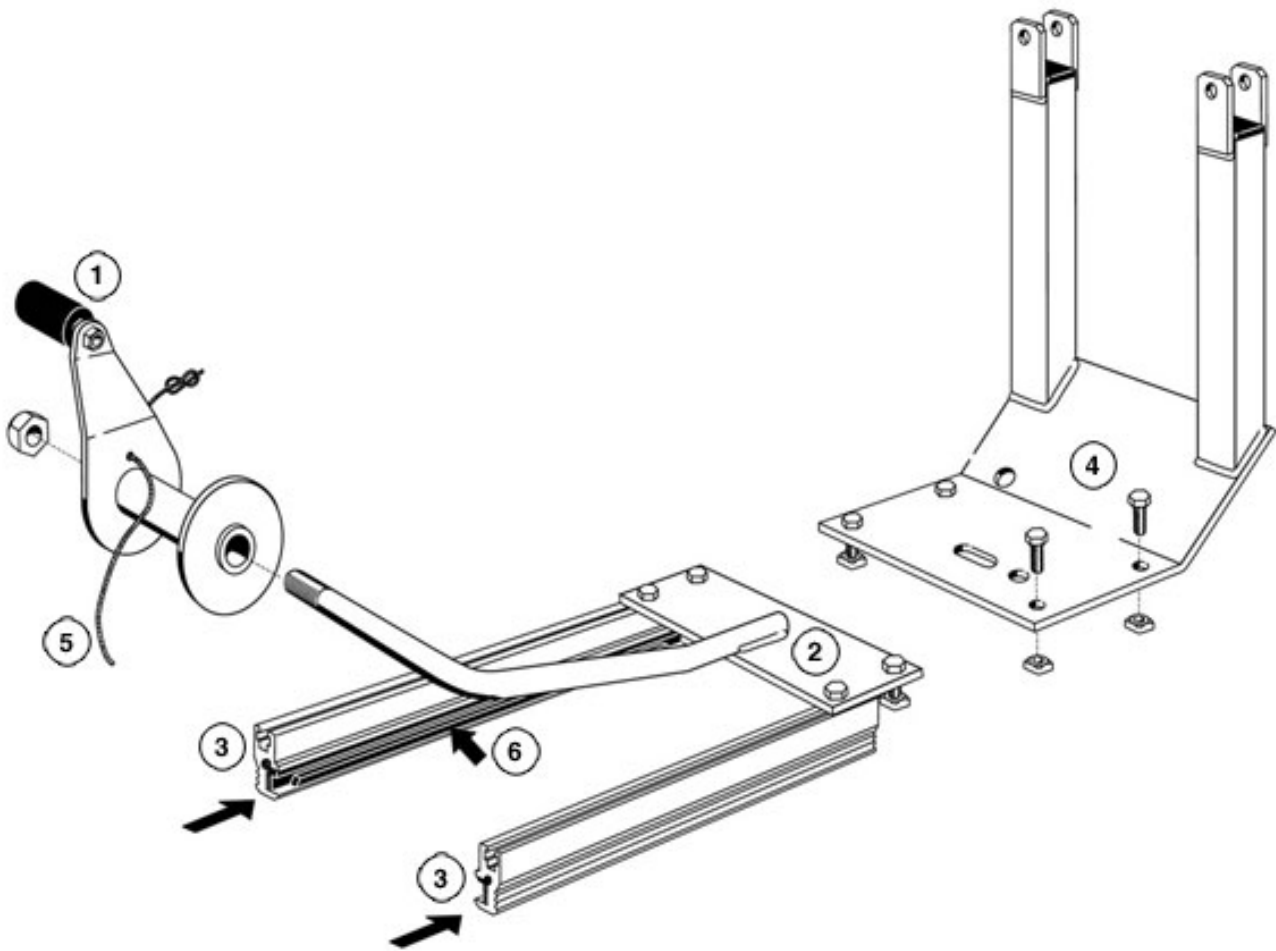
- 1 Part No. 4507-001-1110
- 2 Part No. 4507-001-1120
- 3 Part No. 4507-001-1115
- 4 Part No. 4507-001-1125
- 5 Part No. 4507-001-2075 набор винтов



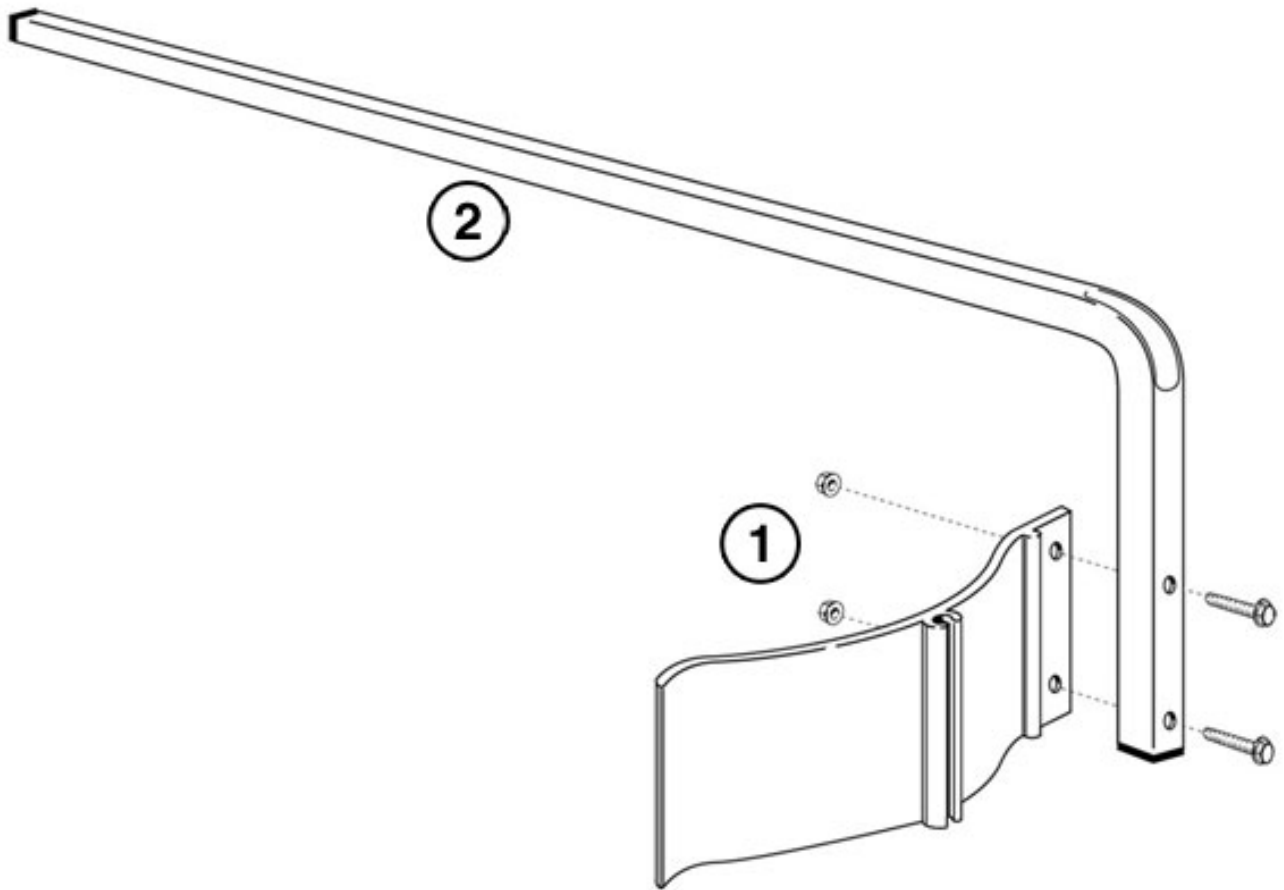
- 1 Part No. 4507-001-1100
- 2 Part No. 4507-001-1106
- 3 Part No. 4507-001-1105
- 4 Part No. 4507-001-1125
- 5 Part No. 4507-001-1080
- 6 Part No. 4507-001-0300
- 7 Part No. 4507-001-1205
- 8 Part No. 4507-001-2075 набор винтов



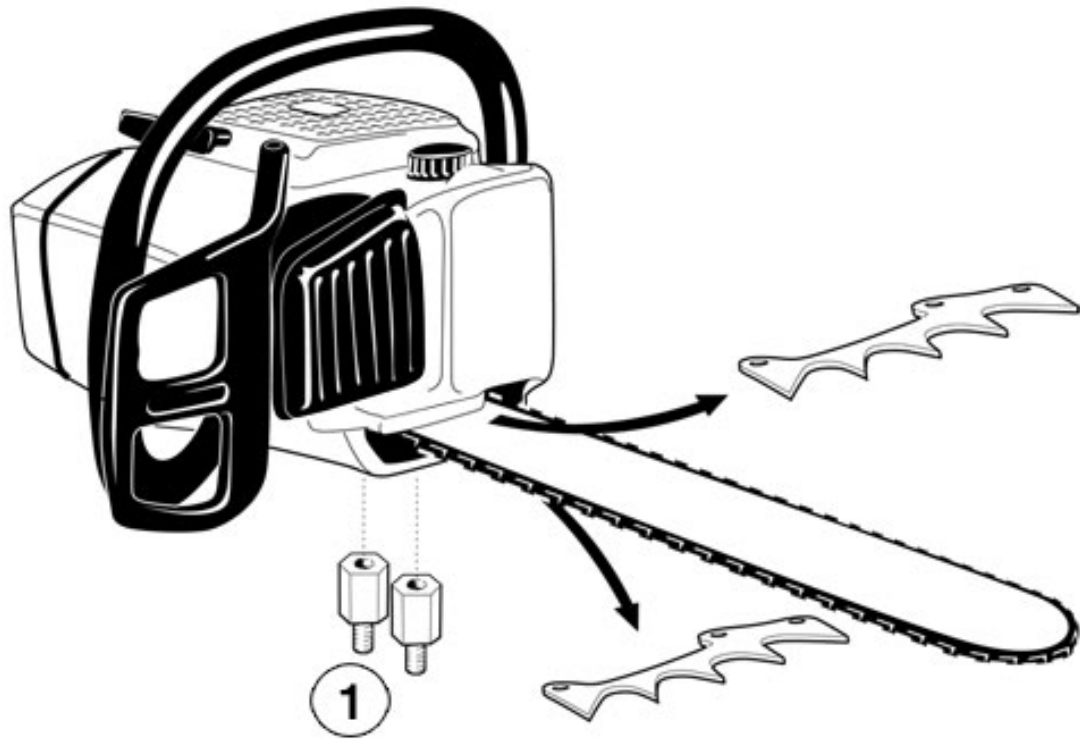
- 1 Part No. 4507-001-1101
- 2 Part No. 4507-001-1025
- 3 Part No. 4507-001-2075 набор винтов



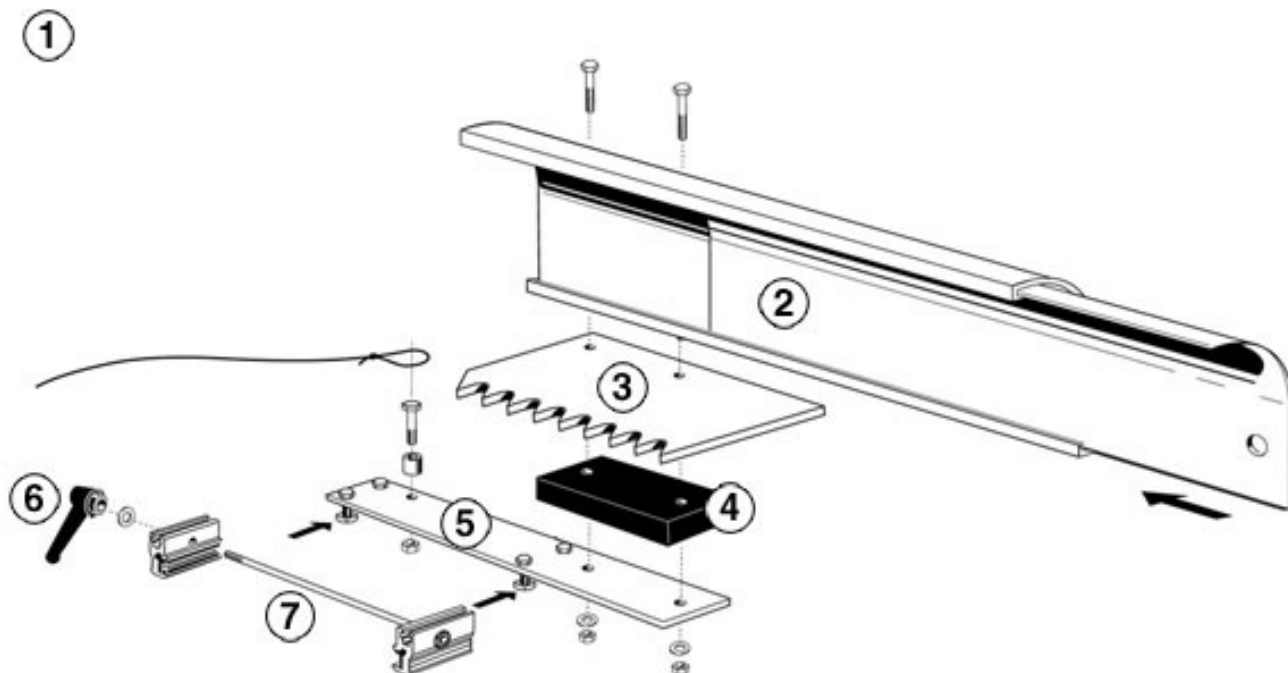
- 1 Part No. 9999-000-1032
- 2 Part No. 4510-720-2800
- 3 Part No. 4507-720-7402
- 4 Part No. 4510-720-2900
- 5 Part No. 4510-723-2002
- 6 Part No. 4510-723-2904
- 7 Part No. 4507-001-2076 набор винтов



- 1 Part No. 4507-723-4809
- 2 Part No. 4507-720-3001



1 Part No. 4510-723-3402



- 1 Part No. 4507-001-7600
- 2 Part No. 4510-723-4806
- 3 Part No. 4507-720-7601
- 4 Part No. 4510-723-2200
- 5 Part No. 4507-720-7602
- 6 Part No. 4510-723-4902
- 7 Part No. 4510-723-5100
- 8 Part No. 4507-001-2077 набор винтов